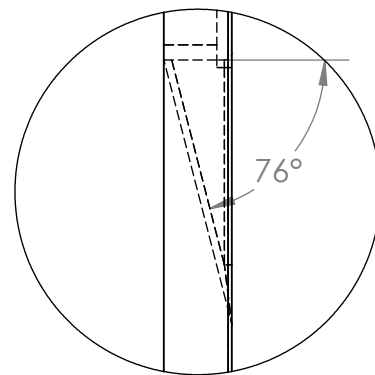
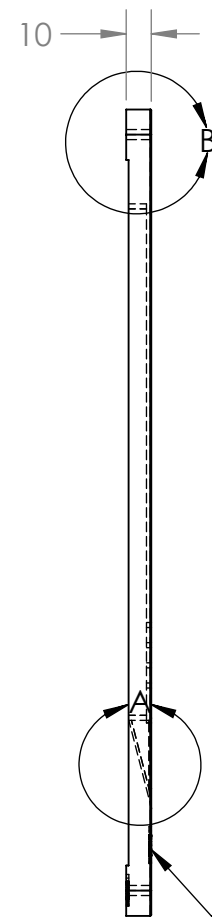


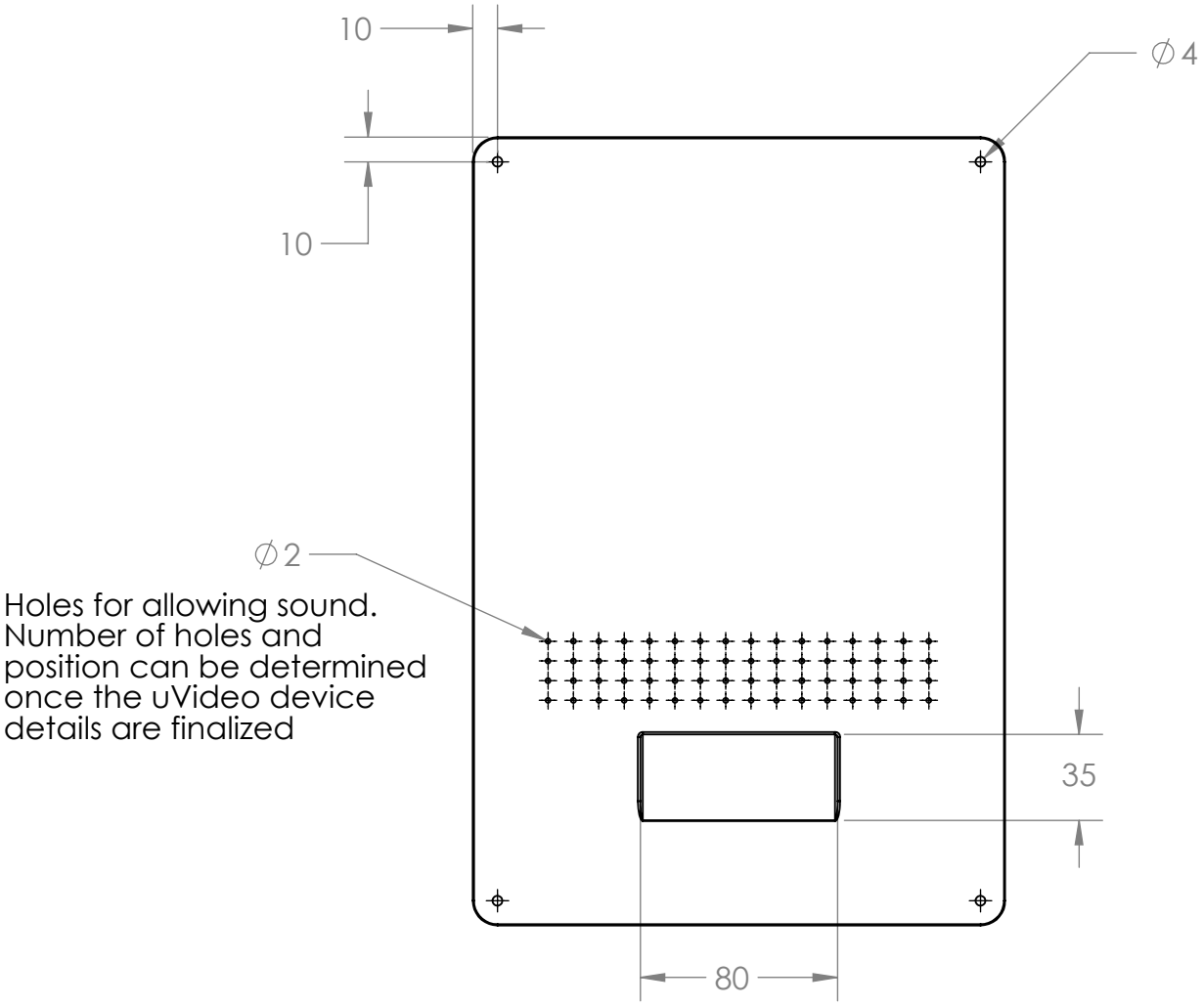
DETAIL B
SCALE 1 : 1



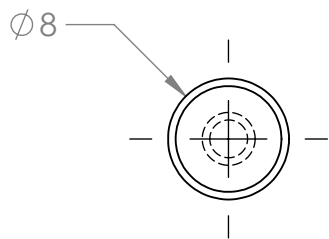
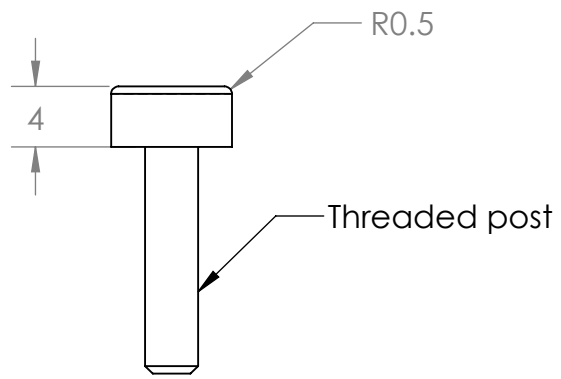
DETAIL A
SCALE 1 : 1



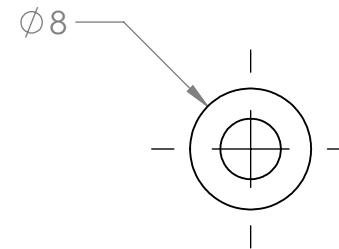
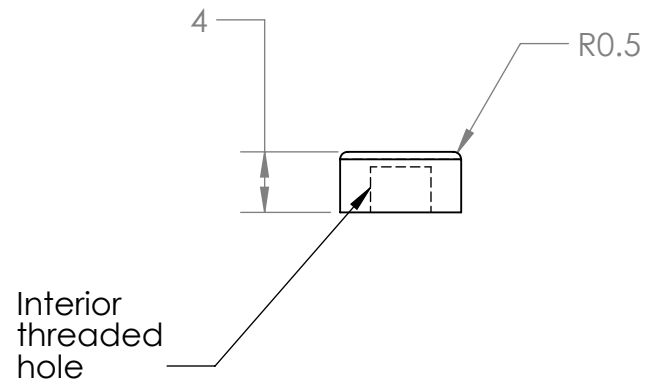
2nd Engraved
logo 1mm deep
on the back



Holes for allowing sound.
Number of holes and
position can be determined
once the uVideo device
details are finalized



FRONT CONNECTOR
Used on all 4 FRONT corners



BACK CONNECTOR
Used on TOP TWO BACK CORNERS

